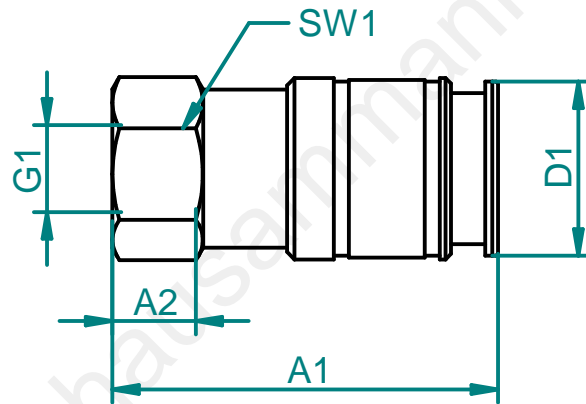




General tolerances ISO 2768-m						Index	Date	Visum	Modification	Index	Date	Visum	Modification
Basic-size	...6	> 6 ...30	> 30 ...120	>120 ...400	> 400 ...1000								
medium	±0.1	±0.2	±0.3	±0.5	±0.8								



Specifications points D,K,H	
D= doc.points	
K= critical	
H= main	

		Material:	
Accord-draw.no.: Origin-draw.no.: Replacement for:	 HAUSAMMANN KOMponenten PRODUKTION SYSTEME	Scale	
		 Date	Visum Phone
		plotted 10.04.12	E.Z
		checked	
	38.905	Solid Edge	Format Index A4 00
© 2012, Fuer dieses Dokument behalten wir uns alle Rechte vor.		© 2012, Nous nous reservons tous les droits sur ce document	
© 2012, We reserve all rights in connection with this document			